

User Manual / Notice d'emploi

Oster^{TM/MC}

Burr Mill BVSTBMH Series

Moulin à café à meules de la série BVSTBMH



IMPORTANT SAFEGUARDS

To reduce the risk of fire, electric shock and/or injury to persons, basic safety precautions should always be followed when using electrical appliances, including the following:

1. **READ ALL INSTRUCTIONS BEFORE USING THE MACHINE.**
2. To protect against electric shock, do not immerse cord, plugs or machine in water or in any other liquid.
3. Close adult supervision is necessary when this appliance is used by or near children.
4. Press START/STOP button and unplug from outlet when not in use and before cleaning. Allow the appliance to cool before installing or removing parts and before cleaning the appliance.
5. Avoid contacting moving parts.
6. Do not operate any appliance with a damaged cord or plug or after the appliance malfunctions, or has been damaged in any manner. Return this appliance only to the nearest Authorized Service Center for examination, repair or adjustment.
7. The use of accessory attachments not recommended for Oster™ products may cause hazards or injuries.
8. Do not use the appliance outdoors.
9. Do not let the appliance cord hang over edge of table or counter, or touch hot surfaces.
10. Check the appliance hopper for presence of foreign objects before using.
11. Do not place this appliance on or near a hot gas or electric burner or in a heated oven.
12. To disconnect, press the START/STOP button, then remove the plug from the wall outlet.
13. Do not use the appliance for other than intended household use.



WARNING! To reduce the risk of fire or electric shock, do not remove any service covers. There are no user serviceable parts inside the Burr Mill. Only authorized personnel should repair the Burr Mill.

Please read ALL of the instructions in this manual carefully before you begin to use this appliance. Proper care and maintenance will ensure a long life and a trouble-free operation for this appliance. Please save these instructions and refer to them for cleaning and care tips.

SAVE THESE INSTRUCTIONS

INTRODUCTION

Thank you for selecting Oster™ BVSTBMH Series Burr Mill coffee grinder. Only a Oster™ Burr Mill coffee grinder delivers better taste at a great value!

SPECIAL CORD SET INSTRUCTIONS

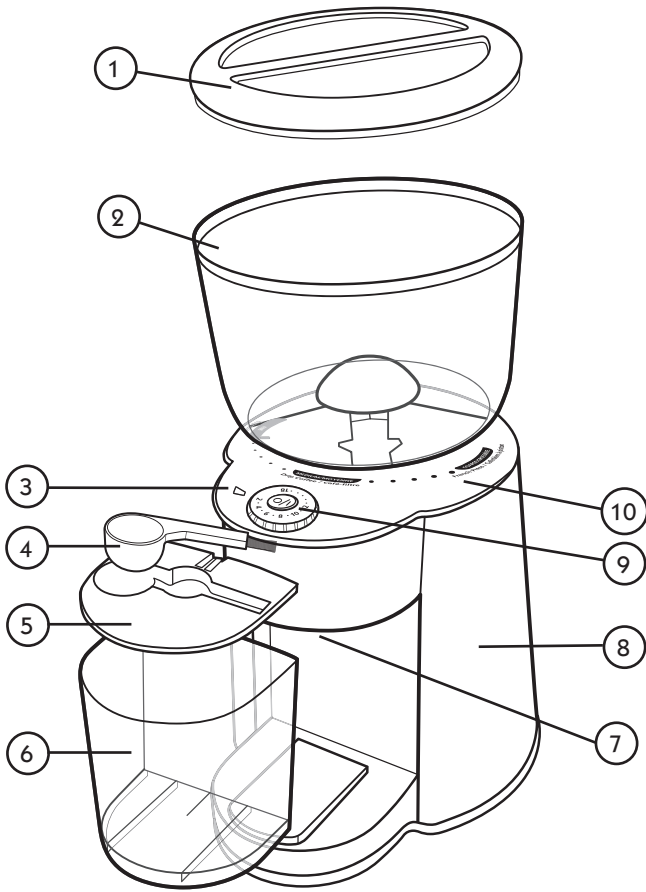
1. A short power supply cord is provided to reduce the hazards resulting from a person or pet becoming entangled in, or tripping over, a longer cord.
2. An extension cord may be purchased and used if care is exercised in its use.
3. If an extension cord is used, the marked electrical rating of the extension cord must be at least 10 amps and 120 volts. The resulting extended cord must be arranged so that it will not drape over a countertop or tabletop where it can be pulled on by children or tripped over accidentally.
4. This appliance has a polarized plug (one blade is wider than the other). To reduce the risk of electric shock, this plug will fit in a polarized outlet only one way. If the plug does not fit fully in the outlet, reverse the plug. If it still does not fit, contact a qualified electrician. Do not modify the plug in any way.
5. You can customize the length of the power cord so that it is the exact length you desire. To increase the length of the power cord: grasp the power cord (not the power plug) and gently lift it out of the slot, then pull it away from the grinder. To decrease the length of the power cord: grasp the power cord (not the power plug), lift it out of the slot and wrap into the base of the grinder. Lock the cord in the slot when finished.

Table of Contents

Important Safeguards	2
Special Cord Set Instructions	3
Introduction	3
Table of Contents	4
Parts Diagram	5
Features and Benefits	6
Getting Started	6
How To Use Your Burr Mill	7
Coffee Measurement Chart.	8
Helpful Grinding Hints	8-9
Cleaning Your Burr Mill	10
Troubleshooting Your Oster™ Burr Mill coffee grinder	10-11
Service and Maintenance	12
Warranty Information	13



PARTS DIAGRAM



- | | |
|--|--|
| 1 Bean Hopper Lid | 6 Grinding Chamber |
| 2 Bean Hopper | 7 Grinding Chamber Chute |
| 3 ON/OFF Indicator Light | 8 Mill Motor Housing |
| 4 Built-In Scoop/Cleaning Brush | 9 Start/Stop & Cup Selection Dial |
| 5 Grinding Chamber Lid | 10 Grind Selection |

BURR MILL FEATURES AND BENEFITS

Your new Oster™ Burr Mill coffee grinder has the following features:

- **Whole Bean Hopper** - Removable and easy to clean bean hopper holds up to a ½ lb. of coffee beans at a time.
- **18 Custom Grind Selections** - Choose from 18 different grind selections from fine (espresso grade) to course (French Press grade) for your customized brewing method.
- **Start/Stop Button & Cup Selection Dial** - Perfect portions every time with automatic grind settings from 2-18 cups.
- **Automatic Shut-Off** - Eliminates the guesswork by automatically stopping at the desired portion chosen.
- **Removable Ground Coffee Chamber** - Lets you easily transfer ground coffee.
- **Stainless Steel Design** - A stylish accessory for your kitchen.
- **On/Off Indicator Light** - LED illuminates letting you know your Burr Mill is ready for use.
- **Cord Storage** - Safely stores excess cord to keep your countertop neat.
- **Built-In Scoop/Brush** - Makes clean up easy.

GETTING STARTED

Always clean your Burr Mill before using the first time.

Make sure that your 1st cup of coffee is as good as can be by cleaning your Oster™ Burr Mill coffee grinder before its first use. Just follow these simple steps:

1. Wash the bean hopper and grinding chamber parts with warm soapy water. (Never use abrasive cleansers, steel wool pads or other abrasive materials. UNIT IS NOT DISHWASHER SAFE).



CAUTION! Never immerse the Burr Mill itself in water, in any other liquid or place in the dishwasher.

2. Dry all pieces thoroughly.
3. Install the Bean Hopper onto the unit and turn clockwise (several rotations-will hear clicking as unit gets tighter) until it stops with the grind size indicator on Fine (Figure 1).
4. Please chamber lid back on grinder chamber and then install into unit, tightly locking into place.

NOTE: If all Bean Hopper and Grinding Chamber parts are not tightly in place correctly, the safety switches within the machine will not allow the grinder to work. You **MUST** have all parts in place to safely use the Burr Mill.

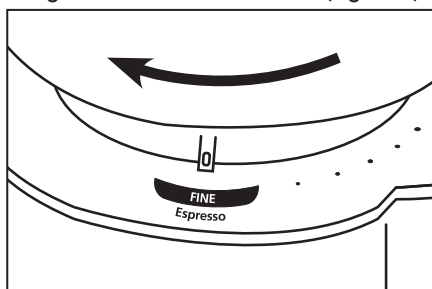


Figure 1

HOW TO USE YOUR BURR MILL

1. After all parts have been put into place, fill the Bean Hopper with coffee beans and replace the lid.
2. Adjust the grind size by rotating the hopper counterclockwise and then aligning the indicator on the hopper to your desired grind size (Figure 2).

NOTE: Grind size setting will change the output volume of grounds. Fine will produce less grounds and course will produce more grounds when the same volume (cup) setting is used.

3. Set the Cup Selection Dial to the desired amount of grounds (Figure 3).
4. Press and hold briefly the Start/Stop button to start the grinding process.
5. The unit will automatically stop when the selected volume has been reached.

NOTE: You may also stop the grinding process at anytime by pressing the Start/Stop button again.

6. Remove the coffee chamber and lid and use the grounds as needed.
7. Cleaning brush can be used to remove dust from grind chamber chute located behind the removable grinding chamber (Figure 4).

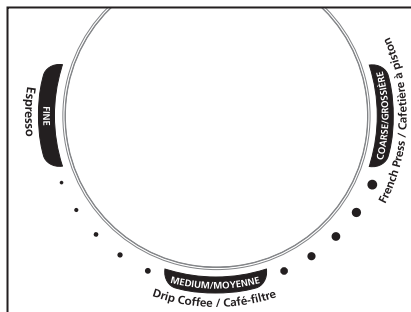


Figure 2

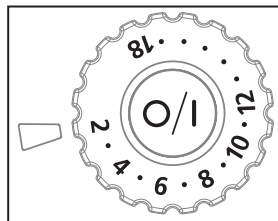


Figure 3

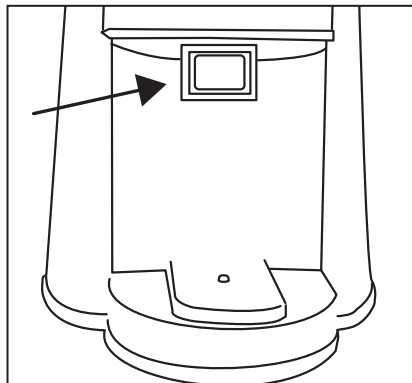


Figure 4

COFFEE MEASUREMENT CHART

For Medium Ground Coffee

Cups of Coffee (5 oz. each)	Bean Quantity Approximate (Tablespoons)
12 Cups	12 Tbsp
10 Cups	10 Tbsp
8 Cups	8 Tbsp
6 Cups	6 Tbsp
4 Cups	4 Tbsp
2 Cups	2 Tbsp

1. The amount of whole coffee beans required is about the same as the specified quantity of medium ground coffee tablespoons.
2. The unit will work for about 1 minute if you have selected the 12 cups setting.
3. The unit may be stopped during grinding by:
 - The user - you may press the Start/Stop button at any time to stop the grinding operation.
 - Opening the hopper lid during operation – check that you have enough beans.
 - An out of position ground coffee chamber – check that it is not full. Close the lid, place it in the correct position and adjust the timer setting to avoid overfilling the ground coffee chamber before resuming operation.

NOTE: Avoid overfilling the ground coffee chamber. This can cause the unit motor to overheat and break a thermal fuse inside the mill, possibly damaging the unit permanently.

NOTE: If all Bean Hopper and Grinding Chamber parts are not tightly in place correctly, the safety switches within the machine will not allow the grinder to work. You **MUST** have all parts in place to safely use the Burr Mill.

HELPFUL GRINDING HINTS FOR BEST RESULTS

You may customize the above bean quantity recommendations as you familiarize yourself with your new Oster™ Burr Mill coffee grinder, but always bear in mind the following:


1. Using finer grounds than required for brewing coffee in an automatic drip coffee maker might cause an overflow of the paper filter and/or the brew basket. Also, the taste of the coffee might be stronger than desired. If this happens, use less coffee grounds or change the grind setting to medium or to whichever setting is necessary to obtain the desired result.
2. Using coarser grounds than required for brewing coffee in an automatic drip coffee maker might cause an overflow of the paper filter and/or the brew basket. Also, the taste of the coffee might be weaker than desired. If this happens, use more coffee grounds to obtain the desired result. For a regular or stronger cup of coffee, adjust the grind setting to a medium to fine setting.

3. When a finer setting is required to brew espresso or cappuccino, please grind the amount of coffee grounds recommended by your product manufacturer.
 - For OSTER™ Espresso products:
 - Set the Burr Mill to Fine grind.
 - For 2 oz. of espresso coffee, 2 tsp (0.6 tbsp) of fine grind are required. Set the Timer to 3 cups, this will keep the unit ON enough time to grind the finer grounds required.
 - For 4 oz. of espresso coffee, 4 tsp (1.3 tbsp) of fine grind are required. Set the Timer to 5 cups, this will keep the unit ON enough time to grind the finer grounds required.
 - Using improper medium or coarse coffee grinding settings might affect the taste of the brewed espresso coffee, because the optimum coffee extraction is not achieved. If you like a strong cup of espresso, make sure the grind setting is fine.
 4. When a coarser setting is required to brew coffee manually, in a percolator or using a French Press, grind the amount of coffee grounds recommended by your product manufacturer.
 - OSTER™ brand recommendation:
 - Set the Burr Mill to a coarse grind setting.
 - Set the timer to 8-10 cups, this will keep the unit ON enough time to grind enough coffee for 12 cups of brewed coffee.
 - Given that coarse grounds will take up more volume, always set the timer for 2-4 cups less than the amount desired.
- NOTE:** Remember, you can customize the recommendations above as you discover which setting best meets your personal coffee-making preference. As in the case of automatic drip coffee makers,
- Using an excessive amount of coffee grounds for brewing coffee in a percolator might cause an overflow of the percolator brew basket.
 - Using finer grounds than required for brewing coffee manually in a percolator, or using a French Press, might cause an overflow of the percolator brew basket and/or the taste of the coffee might be stronger than desired. If you want a regular or weaker cup of coffee, adjust the grind setting to a medium to coarse setting.
5. Use only coffee beans in this appliance.
 6. The ground coffee chamber and its lid must always be in place when using this appliance.
 7. Do not use the finest setting when grinding coffee for your automatic drip coffeemaker. The finer grounds could cause the coffee basket to overflow.
 8. To avoid overheating the motor, do not grind more than 2 full whole bean hoppers or 2 full 12-cup cycles without a break. Allow the motor to cool to room temperature at least 2 minutes between cycles.
 9. If the grinder stops working after running consecutive cycles, unplug the grinder from the wall outlet and allow it to cool for at least an hour. Then plug grinder back in and use as needed.
 10. Flavored coffee beans will gum up the burrs and leave an oily residue when stored in the whole bean hopper for long periods of time.

11. Clean after every third use for best performance.
 12. After using, open the grinder to the coarsest setting and run empty to clear the grinding path.
- NOTE:** For optimum freshness of your coffee beans, do NOT store in the bean hopper for extended periods of time.

CLEANING INSTRUCTIONS

Remember to always clean your Burr Mill before using it for the first time. Then, to ensure optimal mill function and durability, clean it regularly following these simple steps:

1. Always unplug your Burr Mill after use and before cleaning.
 2. Wash the bean hopper and coffee chamber parts with warm soapy water. (Never use abrasive cleansers, steel wool pads or other abrasive materials. UNIT IS NOT DISHWASHER SAFE)
-  **CAUTION!** Never immerse the Burr Mill itself in water, in any other liquid or place in the dishwasher.
3. Dry all pieces thoroughly.
 4. Install the Bean Hopper onto the unit and turn clockwise (several rotations-will hear clicking as unit gets tighter) until it stops with the grind size indicator on Fine.
 5. Place chamber lid back on grinder chamber and then install into unit, tightly locking into place.

NOTE: If all Bean Hopper and Grinding Chamber parts are not tightly in place correctly, the safety switches within the machine will not allow the grinder to work. You MUST have all parts in place to safely use the Burr Mill.

TROUBLESHOOTING YOUR Oster™ BURR MILL COFFEE GRINDER

Your Oster™ Burr Mill coffee grinder has been carefully designed to give you many years of trouble-free service. In the unlikely event that your new Burr Mill does not operate satisfactorily, please review the following potential problems and try the steps recommended BEFORE you call an Authorized Sunbeam Service Center.

PROBLEM	POSSIBLE CAUSE	SOLUTION
THE UNIT DOES NOT GRIND	<ul style="list-style-type: none"> • Hopper is not securely intact • Hopper lid is not on tight • Ground coffee chamber is not in position • Start button has not been pressed • Unit is unplugged • There's a power outage • Motor has overheated, thermal fuse is open • Hopper Chute Clogged (or Blocked) 	<ul style="list-style-type: none"> • TURN HOPPER CLOCKWISE UNTIL STOPS, THEN MOVE INDICATOR COUNTERCLOCKWISE, BACK TILL YOU HAVE INDICATOR LINED UP WITH DESIRED GRIND SETTING • SECURE HOPPER LID • PLACE CHAMBER IN PROPER POSITION • PRESS AND HOLD BRIEFLY START/STOP BUTTON • PLUG UNIT IN • WAIT FOR POWER TO BE RESTORED • UNPLUG UNIT FOR AT LEAST AN HOUR THEN PLUG BACK IN AND USE AS NEEDED • REMOVE HOPPER & EMPTY TO CLEAR BLOCKAGE

Troubleshooting cont.

<p>THE COFFEE GROUNDS PRODUCED ARE INSUFFICIENT</p>	<ul style="list-style-type: none"> • Grinder setting is incorrect • Insufficient amount of whole beans in hopper • Ground coffee chamber moved out of position during operation • Top Burr Mill is not in proper position • Unit and Burr Mill are not clean • There is a foreign object between the two Burr Mills 	<ul style="list-style-type: none"> • SET GRINDER SETTING CORRECTLY • ADD BEANS TO HOPPER • PLACE CHAMBER IN PROPER POSITION • UNPLUG UNIT, PLACE TOP BURR MILL IN PROPER POSITION • CLEAN UNIT, UNPLUG IT AND CLEAN BURR MILL • UNPLUG UNIT AND CAREFULLY DISLodge FOREIGN OBJECT
<p>THE SIZE OF GROUND COFFEE PARTICLES IS NOT CONSISTENT</p>	<ul style="list-style-type: none"> • Unit and Burr Mill are not clean • There's a foreign object between the two Burr Mills • Grind setting is not correct 	<ul style="list-style-type: none"> • CLEAN UNIT, UNPLUG IT AND CLEAN BURR MILL • UNPLUG UNIT AND CAREFULLY DISLodge FOREIGN OBJECT • TURN HOPPER TO CORRECT GRIND SETTING
<p>THE UNIT STOPS GRINDING</p>	<ul style="list-style-type: none"> • Grind setting is incorrect • Ground coffee chamber is not in correct position • Start/Stop button has been pressed • The unit has been unplugged • There's a power outage • Ground coffee chamber is full and is clogging the Burr Mill compartment • Motor has overheated, thermal fuse is open 	<ul style="list-style-type: none"> • SET GRIND SETTING CORRECTLY • PLACE CHAMBER IN PROPER POSITION • PRESS AND HOLD BRIEFLY START/STOP BUTTON AGAIN • PLUG UNIT IN • WAIT FOR POWER TO BE RESTORED • REMOVE CHAMBER, EMPTY AND REPLACE; UNPLUG UNIT AND CLEAN BURR MILL COMPARTMENT IF NEEDED • UNPLUG UNIT FOR AT LEAST AN HOUR THEN PLUG BACK IN AND USE AS NEEDED
<p>THE CUP SELECTION DIAL DOES NOT TURN</p>	<ul style="list-style-type: none"> • Timer is at 2 cup setting, cannot turn counterclockwise anymore • Timer is at 18 cup setting, cannot turn clockwise anymore • Cup selection dial is broken 	<ul style="list-style-type: none"> • TURN CLOCKWISE TO SET DESIRED NUMBER OF CUPS • TURN COUNTER CLOCKWISE TO SET DESIRED NUMBER OF CUPS • CALL OSTER™ CONSUMER SERVICE DEPARTMENT NUMBER BELOW
<p>THE GRIND SETTING HOPPER DOES NOT TURN</p>	<ul style="list-style-type: none"> • Hopper is at the Fine Setting, cannot turn clockwise anymore • Unit and Burr Mill are not clean • There's a foreign object between the two Burr Mills 	<ul style="list-style-type: none"> • TURN COUNTERCLOCKWISE FOR DESIRED GRIND SETTING • CLEAN UNIT, UNPLUG IT AND CLEAN Burr Mill • UNPLUG UNIT AND CAREFULLY DISLodge FOREIGN OBJECT

Do you still have questions? You can call us toll-free at the Oster™ Consumer Service Department 1-800-667-8623 or you can visit us at www.oster.ca

SERVICE AND MAINTENANCE

REPLACEMENT PARTS

The following replacement parts (as well as the complete unit) are available by visiting us online at www.oster.ca , or call 1-800-334-0759 in the U.S. or 1-800-667-8623 in Canada:

- Bean Hopper w/Lid (both available separately)
- Grinding Chamber w/Lid
- Scoop/Brush

REPAIRS

If your Burr Mill requires service, do not return it to the store where you purchased it. All repairs and replacements must be made by Sunbeam or an authorized Sunbeam Service Center. If you live in the U.S. or Canada, please call us at the following toll-free telephone numbers to find the location of the nearest authorized service center:

Canada 1-800-667-8623

U.S. 1-800-334-0759

You may also visit our website at www.oster.ca for a list of service centers.

To assist us in serving you, please have the coffeemaker model number and date of purchase available when you call. The model number is stamped on the bottom metal plate of the Burr Mill.

We welcome your questions, comments or suggestions. In all your communications, please include your complete name, address and telephone number and a description of the problem.

Visit our website at www.oster.ca and discover the secret to brewing the perfect cup of coffee. You will also find a rich blend of gourmet recipes, entertaining tips and the latest information on Oster™ products.

WARRANTY INFORMATION

1-YEAR LIMITED WARRANTY

Sunbeam Products, Inc. doing business as Jarden Consumer Solutions or if in Canada, Sunbeam Corporation (Canada) Limited doing business as Jarden Consumer Solutions (collectively "JCS") warrants that for a period of one year from the date of purchase, this product will be free from defects in material and workmanship. JCS, at its option, will repair or replace this product or any component of the product found to be defective during the warranty period. Replacement will be made with a new or remanufactured product or component. If the product is no longer available, replacement may be made with a similar product of equal or greater value. This is your exclusive warranty. Do NOT attempt to repair or adjust any electrical or mechanical functions on this product. Doing so will void this warranty.

This warranty is valid for the original retail purchaser from the date of initial retail purchase and is not transferable. Keep the original sales receipt. Proof of purchase is required to obtain warranty performance. JCS dealers, service centers, or retail stores selling JCS products do not have the right to alter, modify or any way change the terms and conditions of this warranty.

This warranty does not cover normal wear of parts or damage resulting from any of the following: negligent use or misuse of the product, use on improper voltage or current, use contrary to the operating instructions, disassembly, repair or alteration by anyone other than JCS or an authorized JCS service center. Further, the warranty does not cover: Acts of God, such as fire, flood, hurricanes and tornadoes.

What are the limits on JCS's Liability?

JCS shall not be liable for any incidental or consequential damages caused by the breach of any express, implied or statutory warranty or condition.

Except to the extent prohibited by applicable law, any implied warranty or condition of merchantability or fitness for a particular purpose is limited in duration to the duration of the above warranty.

JCS disclaims all other warranties, conditions or representations, express, implied, statutory or otherwise.

JCS shall not be liable for any damages of any kind resulting from the purchase, use or misuse of, or inability to use the product including incidental, special, consequential or similar damages or loss of profits, or for any breach of contract, fundamental or otherwise, or for any claim brought against purchaser by any other party.

Some provinces, states or jurisdictions do not allow the exclusion or limitation of incidental or consequential damages or limitations on how long an implied warranty lasts, so the above limitations or exclusion may not apply to you.

This warranty gives you specific legal rights, and you may also have other rights that vary from province to province, state to state or jurisdiction to jurisdiction.

How to Obtain Warranty Service

In the U.S.A.

If you have any question regarding this warranty or would like to obtain warranty service, please call 1-800-334-0759 and a convenient service center address will be provided to you.

In Canada

If you have any question regarding this warranty or would like to obtain warranty service, please call 1-800-667-8623 and a convenient service center address will be provided to you.

In the U.S.A., this warranty is offered by Sunbeam Products, Inc. doing business as Jarden Consumer Solutions located in Boca Raton, Florida 33431. In Canada, this warranty is offered by Sunbeam Corporation (Canada) Limited doing business as Jarden Consumer Solutions, located at 20 B Hereford Street, Brampton, Ontario L6Y 0M1. If you have any other problem or claim in connection with this product, please write our Consumer Service Department.

PLEASE DO NOT RETURN THIS PRODUCT TO ANY OF THESE ADDRESSES OR TO THE PLACE OF PURCHASE.

Oster^{TM/MC}

©2012 Sunbeam Products, Inc. doing business as Jarden Consumer Solutions. All rights reserved.
In Canada, imported and distributed by Sunbeam Corporation (Canada) Limited doing business as
Jarden Consumer Solutions, 20 B Hereford Street, Brampton, Ontario L6Y 0M1.

Canada 1-800-667-8623

Visit us at www.oster.ca

GCDS-OST26968-PH

©2012 Sunbeam Products, Inc., faisant affaire sous le nom de Jarden Consumer Solutions. Au
Canada, importé et distribué par Sunbeam Corporation (Canada) Limited faisant affaire sous le
nom de Jarden Consumer Solutions, 20B Hereford Street, Brampton (Ontario) L6Y 0M1.

Canada 1 800 667-8623

Visitez notre site au www.oster.ca